



WANSEMI
万芯半导体

WP30100KA

Enhancement Mode N-Channel Power MOSFET

TO-252/NMOS/30V/ ± 20 V/1.5V/100A/3.5m Ω

Rev0.5

30V, 3.5mΩ, 100A, Single N-Channel

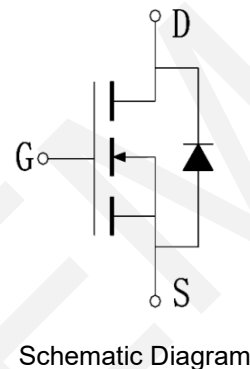
1.Features

- ◆ 30V MOSFET technology
- ◆ Low on-state resistance
- ◆ Fast switching
- ◆ $V_{gs} \pm 20V$

V_{DS}	$R_{DS(on)}$ Typ.	I_D Max.
30V	3.5mΩ @ 10V	100A
	4.9mΩ @ 4.5V	

2.Applications

- ◆ Power Switching Application
- ◆ Load Switching



3.Package Marking and Ordering Information

Part no.	Marking	Package	PCS/Reel	PCS/CTN.
WP30100KA	WP30100KA	TO-252	2,500	25,000

4.Absolute Max Ratings at $T_a=25^\circ C$ (Note1)

Parameter	Symbol	Maximum	Units
Drain to Source Voltage	V_{DSS}	30	V
Gate to Source Voltage	V_{GSS}	± 20	V
Drain Current (DC)	I_D	100	A
Drain Current (Pulse), $PW \leq 300\mu s$	I_{DP}	360	A
Total Dissipation	P_D	65	W
Avalanche Energy, Single Pulsed	E_{AS}	196	mJ
Junction Temperature	T_j	150	$^\circ C$
Storage Temperature	T_{stg}	-55 to +150	$^\circ C$

Note 1: Stresses exceeding those listed in the Maximum Ratings table may damage the device. If any of these limits are exceeded, device functionality should not be assumed, damage may occur and reliability may be affected.

5. Thermal Resistance Ratings

Parameter	Symbol	Value	Unit
Junction to case	$R_{\theta JC}$	2.3	$^{\circ}C/W$

Note 2: When mounted on 1 inch square copper board $t \leq 10$ sec The value in any given application depends on the user's specific board design.

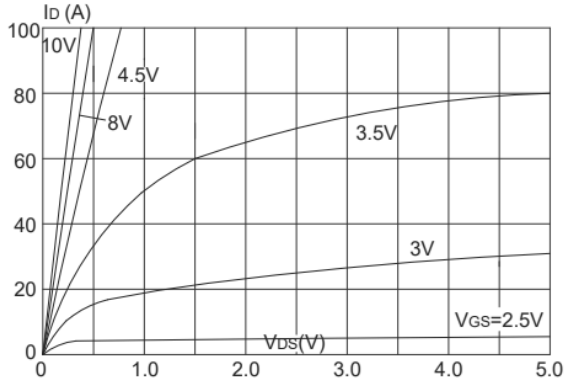
6. Electrical Characteristics at $T_a=25^{\circ}C$ (Note 3)

Parameter	Symbol	Test Conditions	Min.	Typ.	Max.	Units
Drain to Source Breakdown Voltage	$V_{(BR)DSS}$	$I_D = 250\mu A, V_{GS} = 0V$	30	-	-	V
Zero-Gate Voltage Drain Current	I_{DSS}	$V_{DS} = 30V, V_{GS} = 0V$			100	nA
Gate to Source Leakage Current	I_{GSS}	$V_{GS} = \pm 20V, V_{DS} = 0V$			± 100	nA
Gate Threshold Voltage	$V_{GS(th)}$	$V_{DS}=V_{GS}, I_{DS}=250\mu A$	1.0	1.5	2.5	V
Static Drain to Source On-State Resistance	$R_{DS(on)}$	$I_D = 30A, V_{GS} = 10V$	-	3.5	4.2	m Ω
		$I_D = 20A, V_{GS} = 4.5V$	-	4.9	7.5	m Ω
Forward Transconductance	G_{FS}	$I_D = 20A, V_{DS} = 5V$	20			S
Input Capacitance	C_{iss}	$V_{GS}=0V,$ $V_{DS}=15V,$ Frequency=1.0MHz		1700		pF
Output Capacitance	C_{oss}			320		pF
Reverse Transfer Capacitance	C_{rss}			300		pF
Turn-ON Delay Time	$t_{d(on)}$				21	
Rise Time	t_r	$V_{DS} = 15V, I_D = 30A,$ $V_{GS} = 10V, R_G = 3\Omega$		32		ns
Turn-OFF Delay Time	$t_{d(off)}$			60		ns
Fall Time	t_f				34	
Total Gate Charge	Q_g	$V_{DS} = 15V,$ $V_{GS} = 10V,$ $I_D = 30A$		45		nC
	Q_{gs}			3		nC
	Q_{gd}			15		nC
Diode Forward Voltage	V_{FSD}	$I_S = 30A, V_{GS} = 0$	0.5	0.85	1.2	V

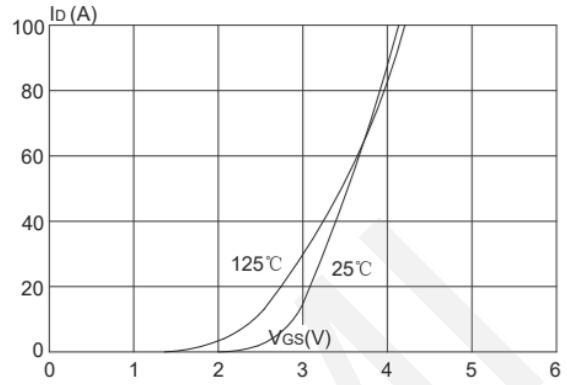
Note 3: Product parametric performance is indicated in the Electrical Characteristics for the listed test conditions, unless otherwise noted. Product performance may not be indicated by the Electrical Characteristics if operated under different conditions.



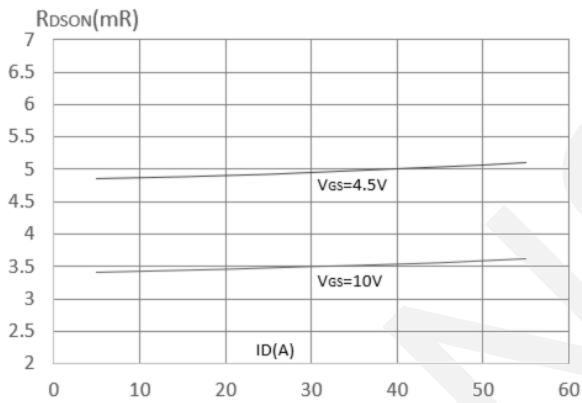
7. Typical electrical and thermal characteristics



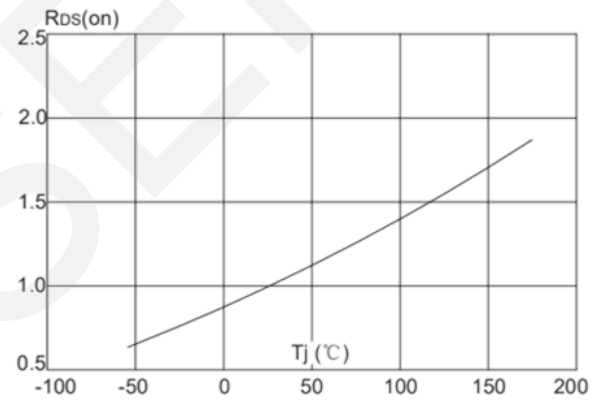
Output Characteristics



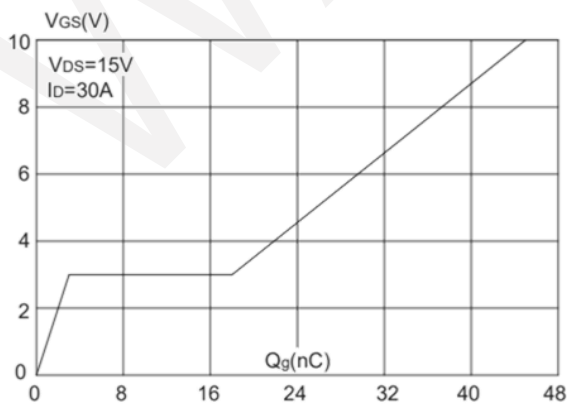
Transfer Characteristics



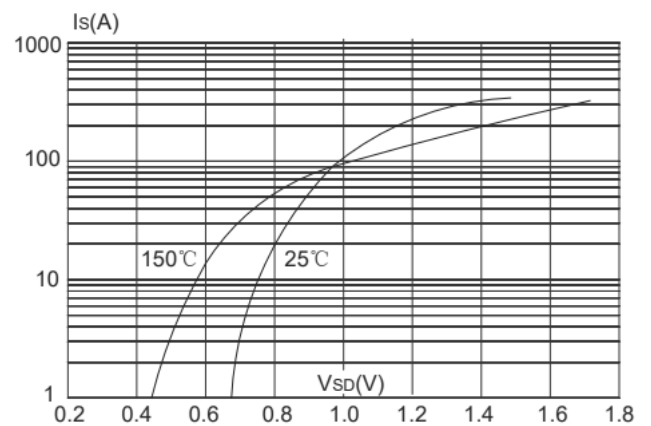
Rdson-Drain Current



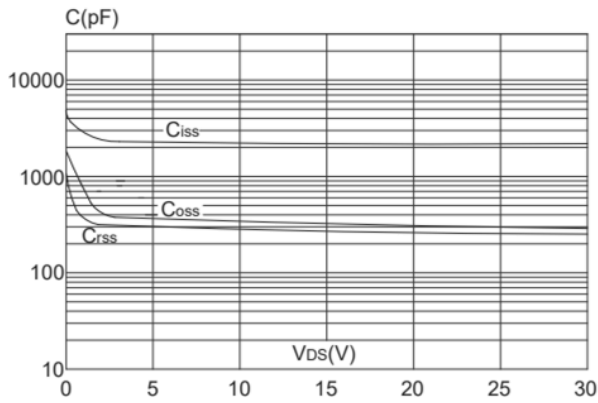
Rdson-Junction Temperature



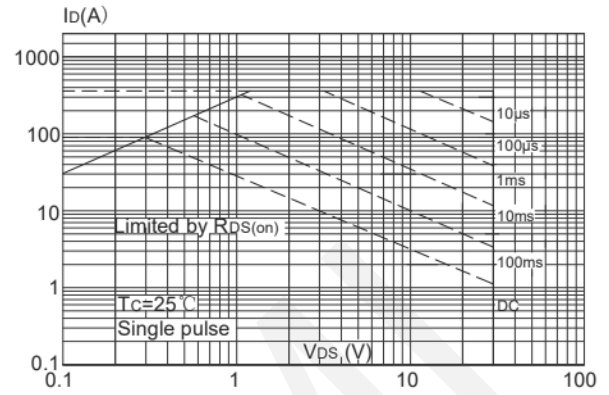
Gate Charge



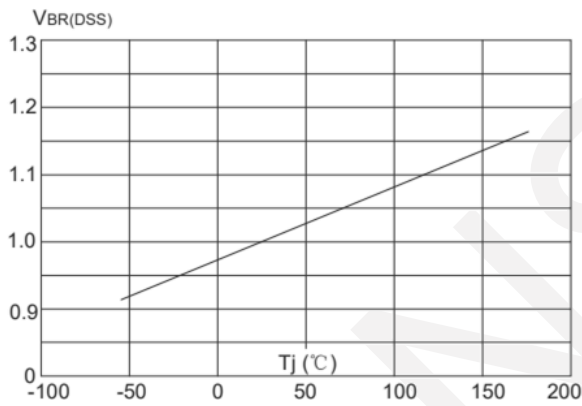
Source-Drain Diode Forward



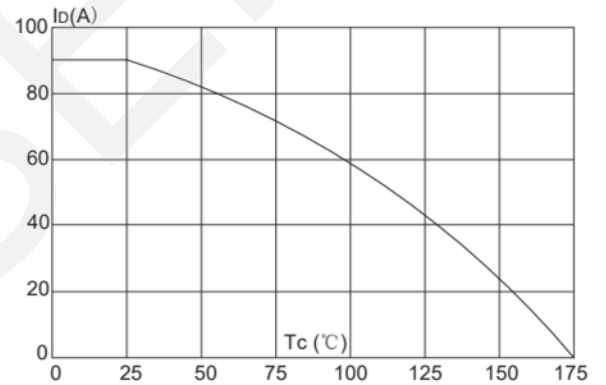
Capacitance vs Vds



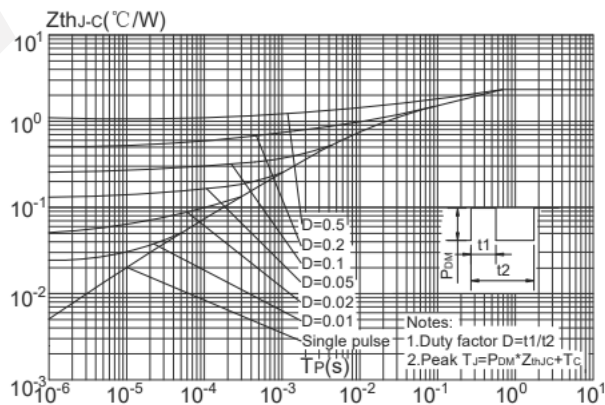
Safe Operation Area



BV_{DSS} vs Junction Temperature



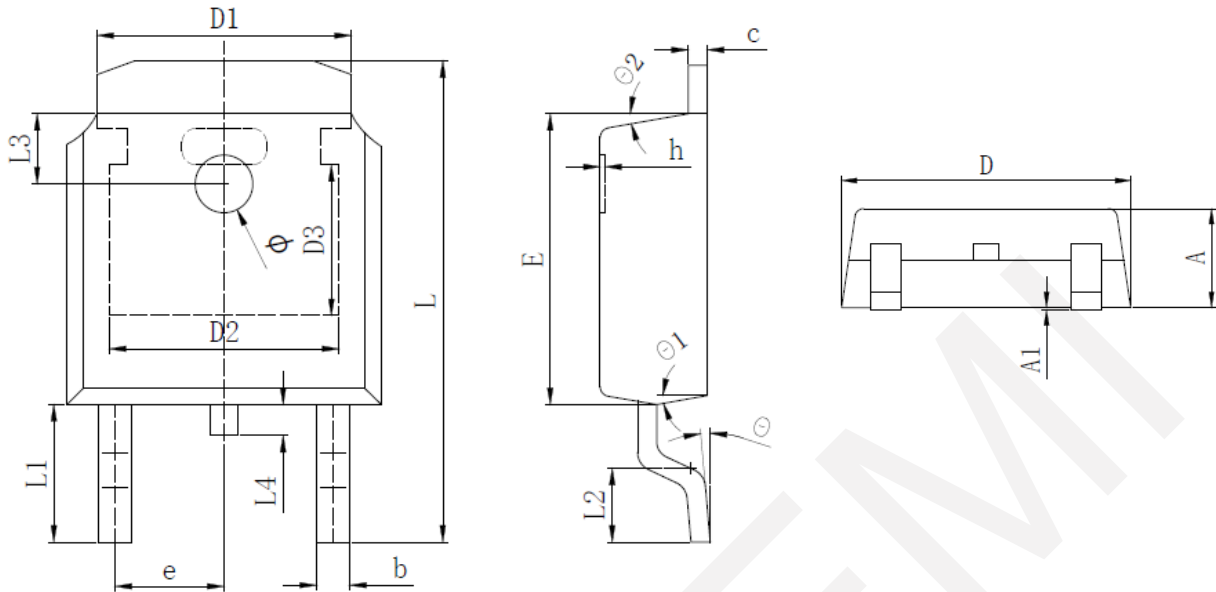
Maximum Continuous Drain Current vs. Case Temperature



Normalized Maximum Transient Thermal Impedance



8.Package Dimensions



SYMBOL	MILLIMETER		
	MIN	Typ.	MAX
A	2.200	2.300	2.400
A1	0.000		0.127
b	0.640	0.690	0.740
c(电镀后)	0.460	0.520	0.580
D	6.500	6.600	6.700
D1	5.334 REF		
D2	4.826 REF		
D3	3.166 REF		
E	6.000	6.100	6.200
e	2.286 TYP		
h	0.000	0.100	0.200
L	9.900	10.100	10.300
L1	2.888 REF		
L2	1.400	1.550	1.700
L3	1.600 REF		
L4	0.600	0.800	1.000
φ	1.100	1.200	1.300
θ	0°		8°
θ 1	9° TYP		
θ 2	9° TYP		

9. Important Notice

WAN SEMICONDUCTOR (NINGBO) CO.,LTD reserves the right to make corrections, enhancements, improvements and other changes to its semiconductor products and services and to discontinue any product or service. Buyers should obtain the latest relevant information before placing orders and should verify that such information is current and complete. All semiconductor products (also referred to herein as “components”) are sold subject to WANSEMI’s terms and conditions of sale supplied at the time of order acknowledgment.

WANSEMI warrants performance of its components to the specifications applicable at the time of sale, in accordance with the warranty in WANSEMI’s terms and conditions of sale of semiconductor products. Testing and other quality control techniques are used to the extent WANSEMI deems necessary to support this warranty. Except where mandated by applicable law, testing of all parameters of each component is not necessarily performed.

WANSEMI assumes no liability for applications assistance or the design of Buyers’ products. Buyers are responsible for their products and applications using WANSEMI components. To minimize the risks associated with Buyers’ products and applications, Buyers should provide adequate design and operating safeguards.

No WANSEMI components are authorized for use in FDA Class III (or similar life-critical medical equipment) unless authorized officers of the parties have executed a special agreement specifically governing such use.

Unless WANSEMI has specifically designated certain components which meet ISO/TS16949 requirements, mainly for automotive use, WANSEMI will not be responsible for any failure of such components to meet such requirements.